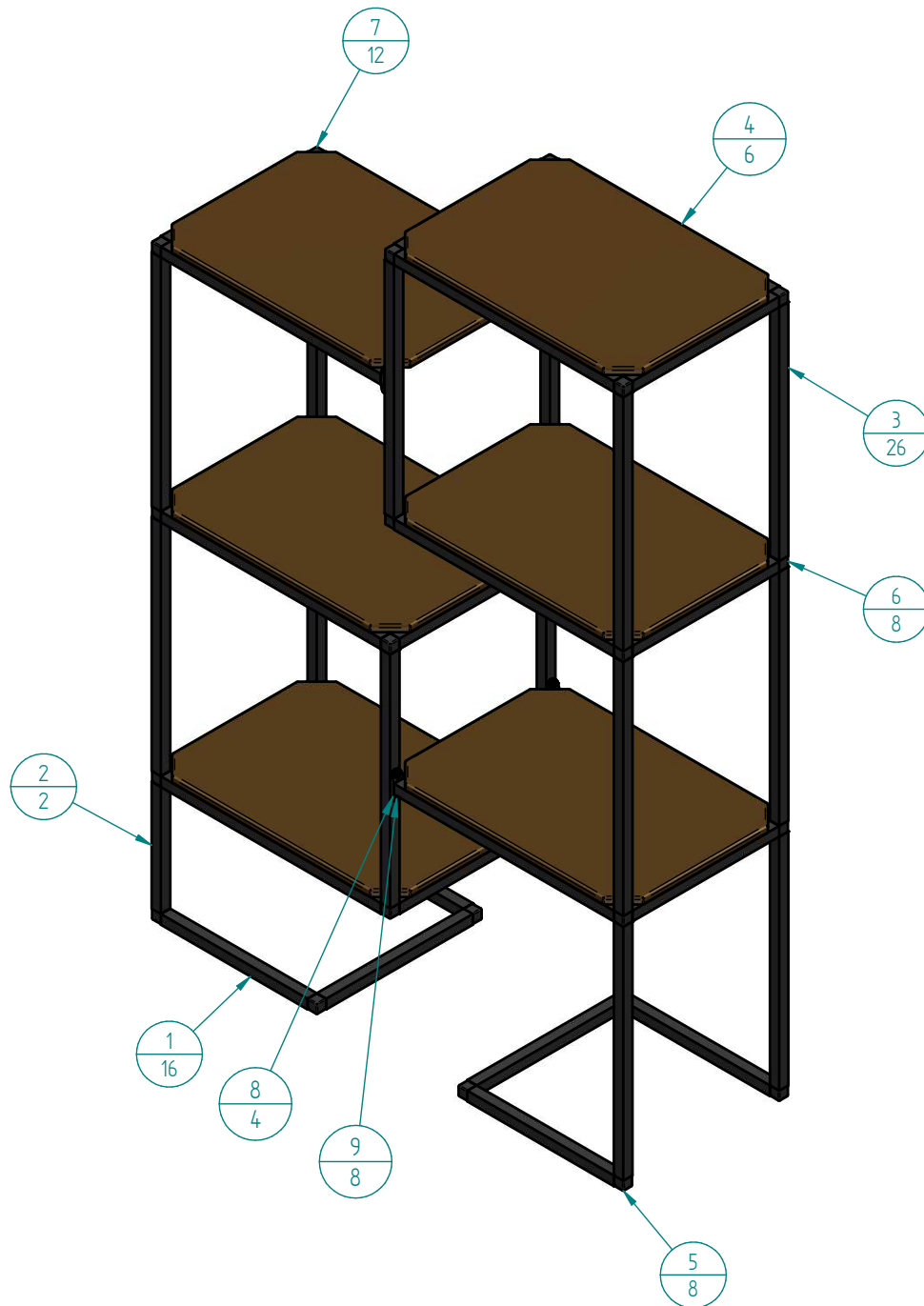



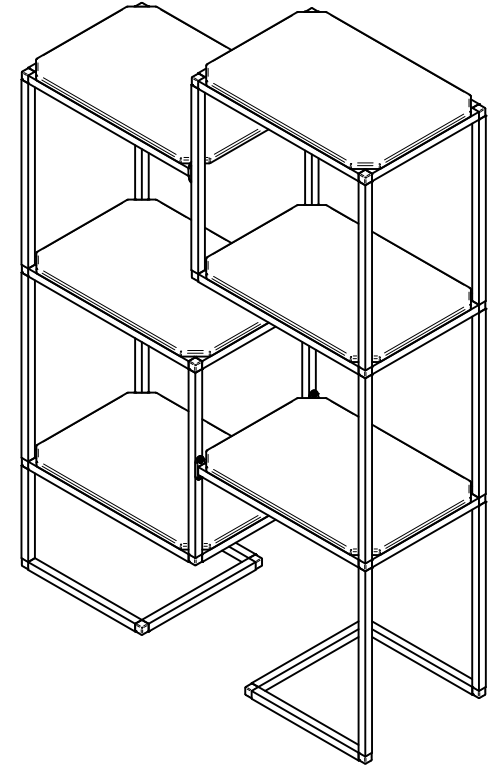
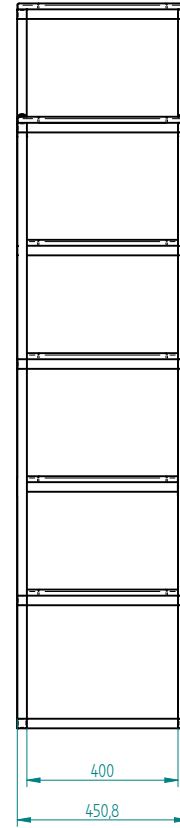
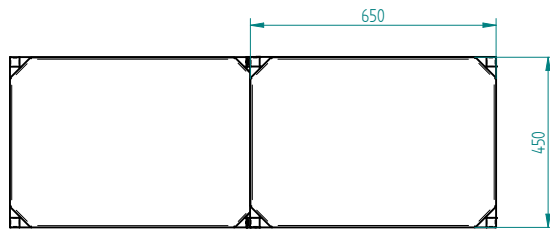
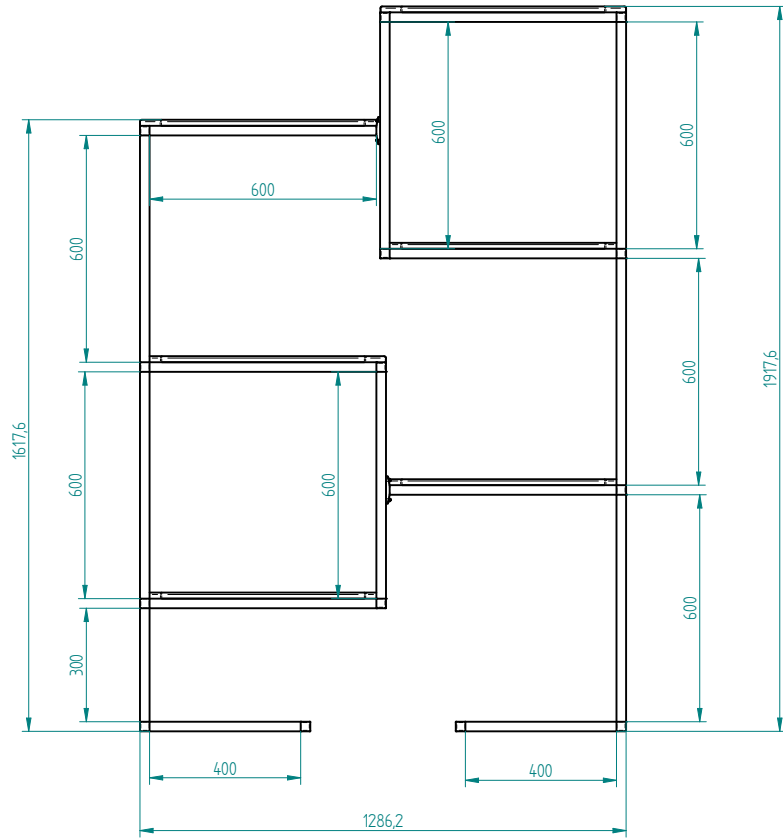
HOW TO BUILD


Room Divider
using 25mm
Connectors



Item Number	Title	Quantity	Cut Length
1	25mm Profile	16	400
2	25mm Profile	2	300
3	25mm Profile	26	600
4	Board, 16mm	6	650 x 450
5	25mm 2-Way Corner Connector	8	-
6	25mm 4-Way Corner Connector	8	-
7	25mm 3-Way Corner Connector	12	-
8	25mm Brace-Piece Connector	4	-
9*	Tek Screw	8	-

	NAME	DATE			
DRAWN	Shirley	05/27/20			
CHECKED					
ENG APPR					
MGR APPR					
			TITLE Room Divider		
UNLESS OTHERWISE SPECIFIED DIMENSIONS ARE IN MILLIMETERS			SIZE A3	DWG NO CN0660-01	REV 1
			FILE NAME: CN0660-01.dft		
SCALE:		WEIGHT:		SHEET 1 OF 2	



DRAWN	NAME	DATE	 EMPOWERING YOU		
CHECKED	Shirley	05/27/20			
ENG APPR					
MGR APPR					
UNLESS OTHERWISE SPECIFIED DIMENSIONS ARE IN MILLIMETERS			SIZE	DWG NO	REV
			A2	EN0660-01	1
			FILE NAME: EN0660-01.dft		
			SCALE:	WEIGHT:	SHEET 2 OF 2