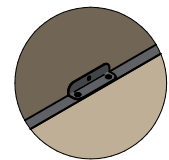
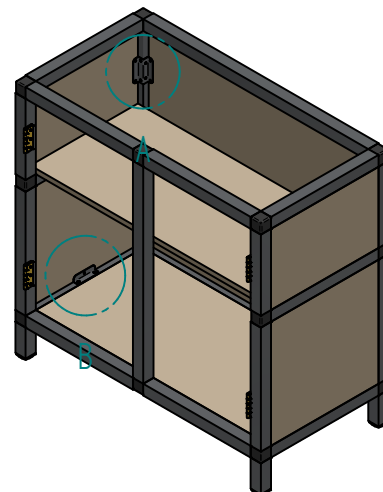
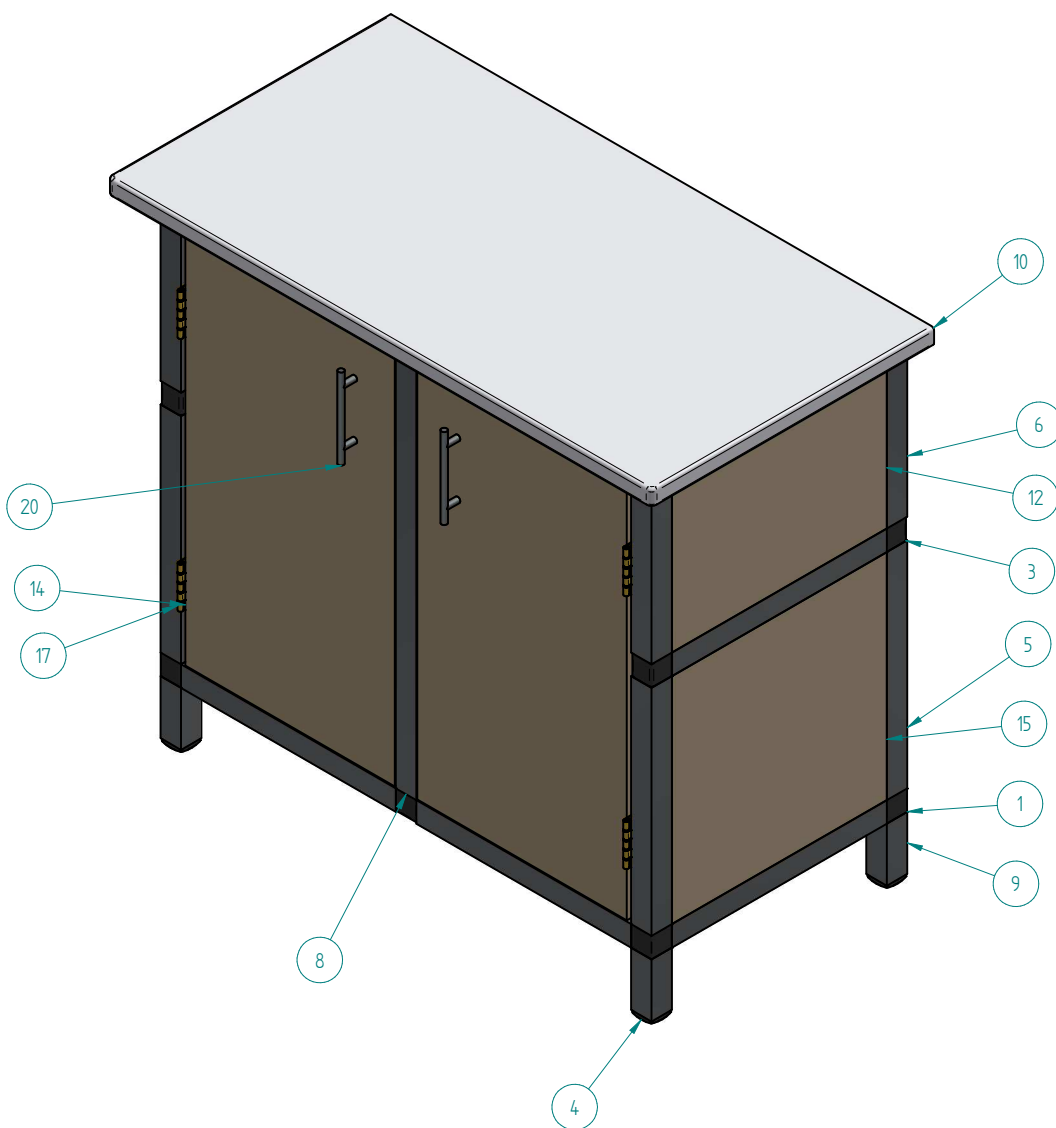


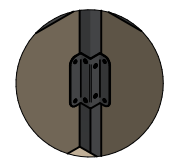


HOW TO BUILD

**Stylish Storage
Cabinet using
38mm Connectors**



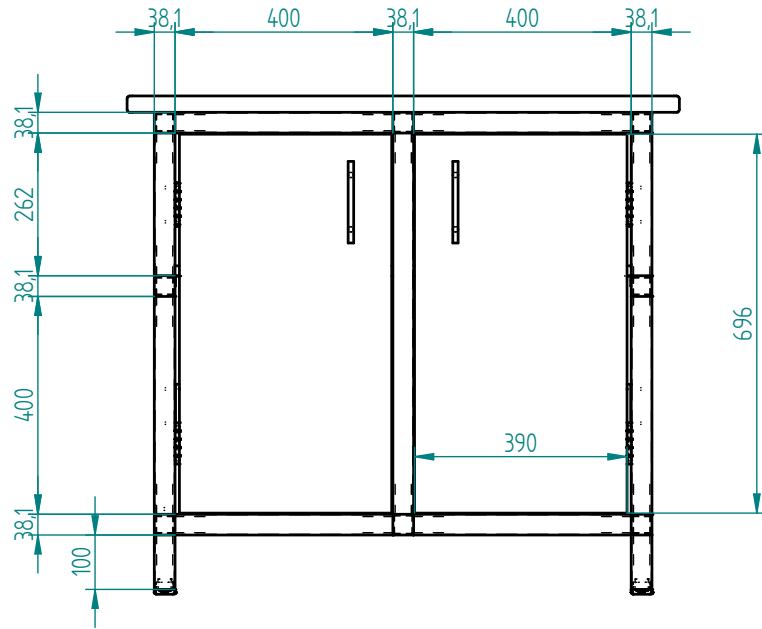
DETAIL 18, 21 & 22



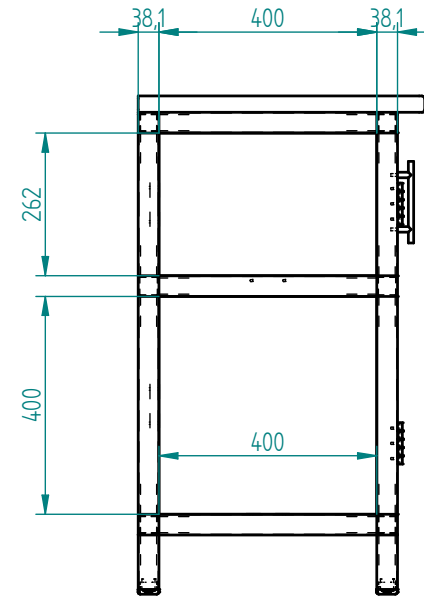
DETAIL 19, 21 & 22

| Item Number | Title | Quantity | Cut List |
|-------------|-------------------------------------|----------|------------|
| 1 | 38mm 4-Way Corner Connector | 4 | - |
| 2* | 38mm 3-Way Corner Connector | 4 | - |
| 3 | 38mm T-Piece Connector | 6 | - |
| 4 | 38mm End Cap | 4 | - |
| 5 | 38mm Profile | 14 | 400 |
| 6 | 38mm Profile | 4 | 262 |
| 7* | 38mm Profile | 2 | 838 |
| 8 | 38mm Profile | 1 | 700 |
| 9 | 38mm Profile | 4 | 100 |
| 10 | Cabinet Top | 1 | 1014 x 526 |
| 11* | Wood Board | 1 | 838 x 700 |
| 12 | Wood Board | 2 | 400 x 262 |
| 13* | Wood Board | 1 | 878 x 400 |
| 14 | Wood Board | 2 | 696 x 390 |
| 15 | Wood Board | 2 | 400 x 400 |
| 16* | Wood Board | 1 | 838 x 400 |
| 17 | 76 x 50mm Steel Hinge | 4 | - |
| 18* | Board Bracket Universal (L Bracket) | 26 | - |
| 19* | Board Bracket Double (M Bracket) | 4 | - |
| 20 | Door Handle | 2 | - |
| 21 | Tek Screws | 130 | - |
| 22 | Wood Screws | 42 | - |

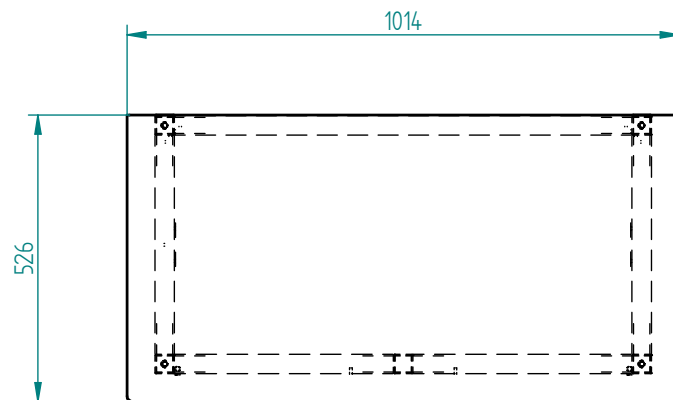
| | | | | | |
|--|----------|----------|----------|----------------------------------|---------|
| DRAWN | NAME | DATE | | TITLE | REV |
| CHECKED | L. Malan | 02/27/20 | | Cabinet_Part List | 01 |
| ENG APPR | | | | FILE NAME: Cabinet_Part List.dft | |
| MGR APPR | | | | SCALE: | WEIGHT: |
| UNLESS OTHERWISE SPECIFIED DIMENSIONS ARE IN MILLIMETERS | | | SIZE: A2 | DWG NO: 01 | |



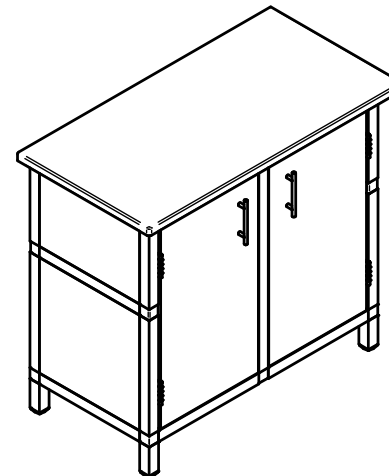
Front View




Side View



Top View



| | | NAME | DATE | | | |
|---|----------|----------|---|--------------|-----------|--|
| DRAWN | L. Malan | 02/27/20 | | | | |
| CHECKED | | | | | | |
| ENG APPR | | | | | | |
| MGR APPR | | | | | | |
| UNLESS OTHERWISE SPECIFIED DIMENSIONS ARE IN MILLIMETERS | | |  | | | |
| | | | TITLE Cabinet | | | |
| | | | SIZE A3 | DWG NO 01 | REV 01 | |
| | | | FILE NAME: Cabinet_ISO.dft | | | |
| SCALE: | | WEIGHT: | | SHEET 1 OF 1 | | |