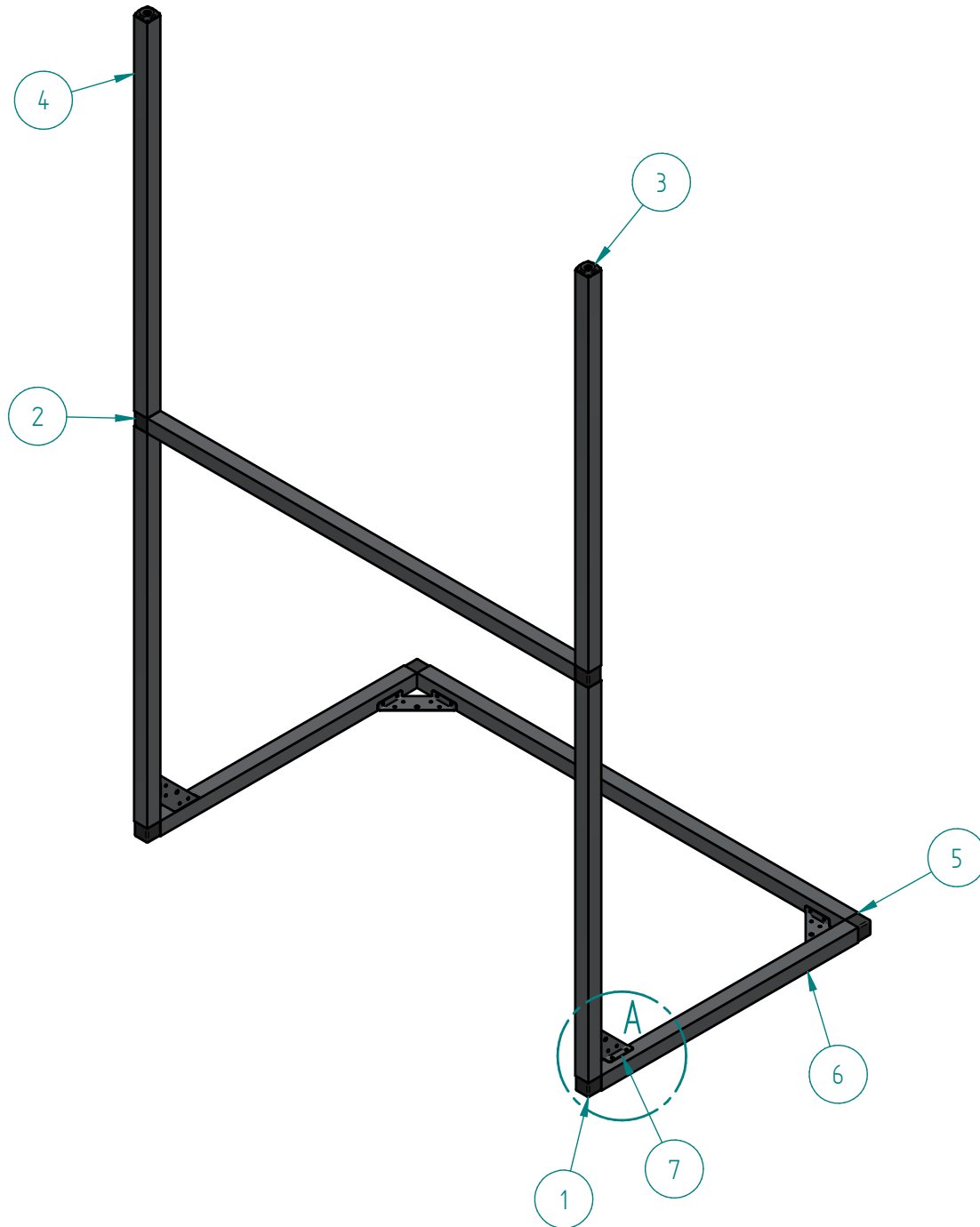




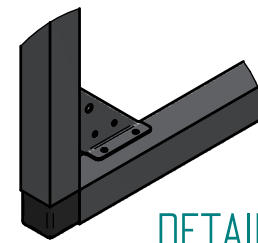
HOW TO BUILD

Mini Rugby Posts using 38mm Connectors



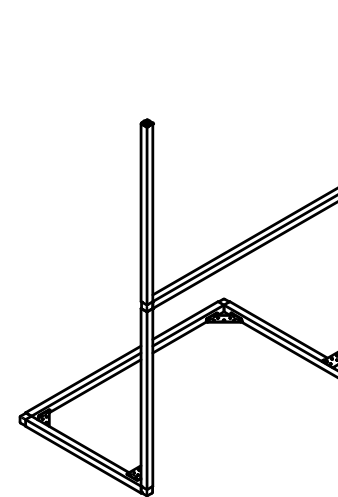
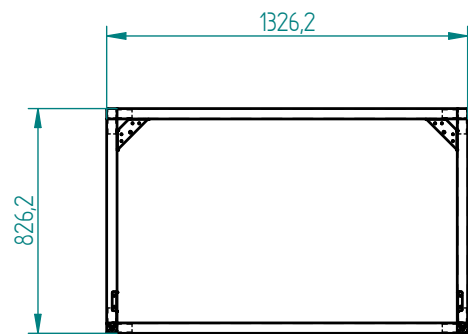
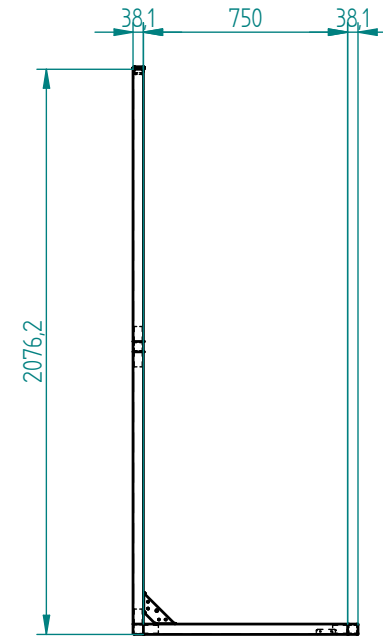
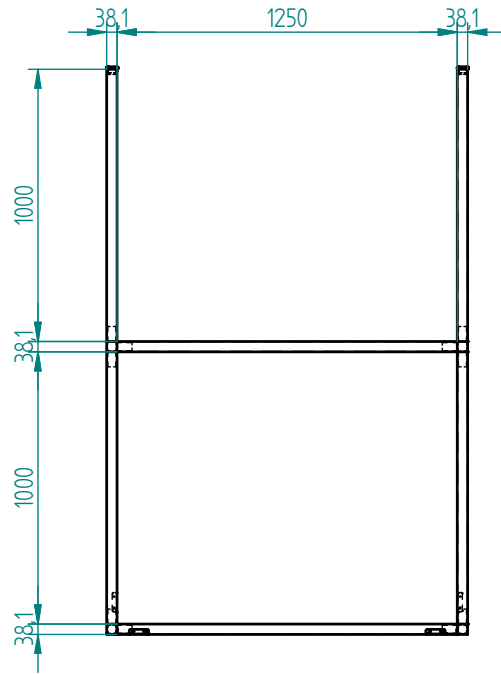


Item Number	Title	Quantity	Cut List
1	38mm 2-Way Corner Connector	4	-
2	38mm T-Piece Connector	2	-
3	38mm End Cap	2	-
4	38mm Profile	4	1000
5	38mm Profile	2	1250
6	38mm Profile	2	750
7	Universal Stiffener Bracket	4	-
8	Tek Screw	40	-



DETAIL A

	NAME	DATE			
DRAWN	L Malan	03/17/20			
CHECKED					
ENG APPR					
MGR APPR			TITLE Rugby Posts_Part List		
UNLESS OTHERWISE SPECIFIED DIMENSIONS ARE IN MILLIMETERS			SIZE A3	DWG NO 01	REV 01
			FILE NAME: Rugby Posts_Part List.dft		
SCALE:		WEIGHT:		SHEET 1 OF 1	



	NAME	DATE				
DRAWN	L. Malan	03/17/20	TITLE			Rugby Posts_ISO
CHECKED			SIZE			A3
ENG APPR			DWG NO			01
MGR APPR			FILE NAME:		Rugby Posts_ISO.dft	
UNLESS OTHERWISE SPECIFIED DIMENSIONS ARE IN MILLIMETERS			SCALE:	WEIGHT:	SHEET 1 OF 1	
			REV	01		