

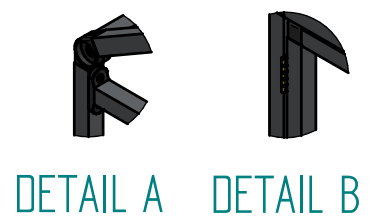
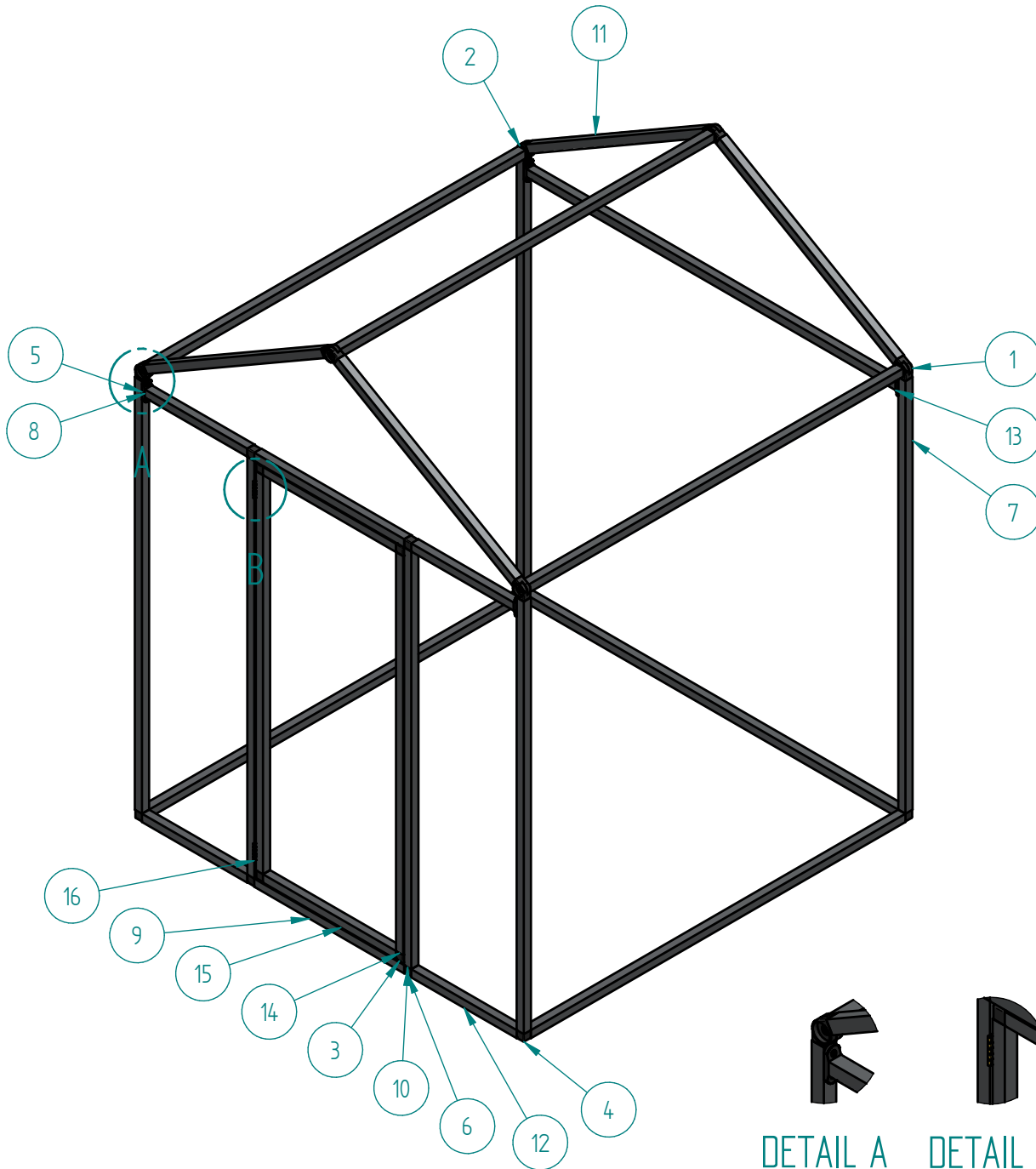


EMPOWERING YOU *to do it yourself*



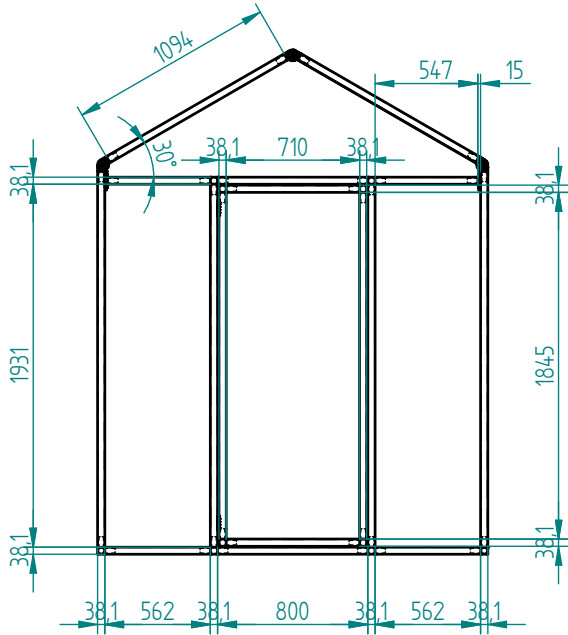
HOW TO BUILD

**Basic Shelter
Structure using
38mm Connectors**

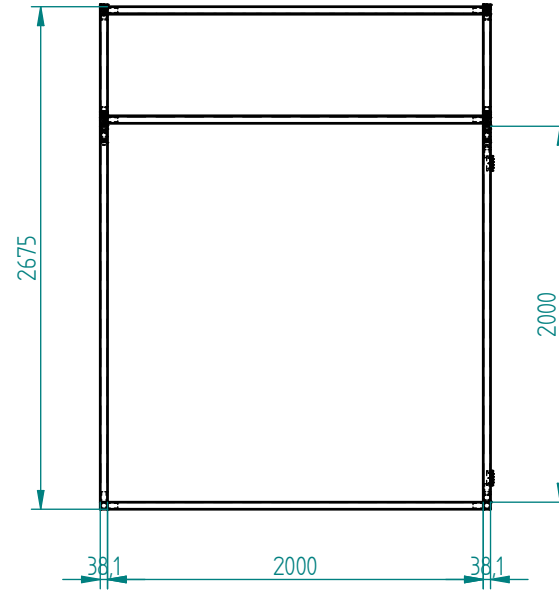


Item Number	Title	Quantity	Cut Length
(1+2)	38mm 3-Way Adjustable	6	
1	38mm Adjustable Body Connector	12	-
2	38mm Adjustable Body Connector	6	-
3	38mm 2-Way Corner Connector	4	-
4	38mm 3-Way Corner Connector	4	-
5	38mm Brace Piece Connector	4	-
6	38mm T-Piece Connector	4	-
7	38mm Profile	10	2000
8	38mm Profile	2	547
9	38mm Profile	2	800
10	38mm Profile	2	1930
11	38mm Profile	4	1091
12	38mm Profile	2	562
13	38mm Profile	1	1970
14	38mm Profile	2	1845
15	38mm Profile	2	710
16	76 x 50mm Steel Hinge	2	-
17*	Tek Screw	60	-

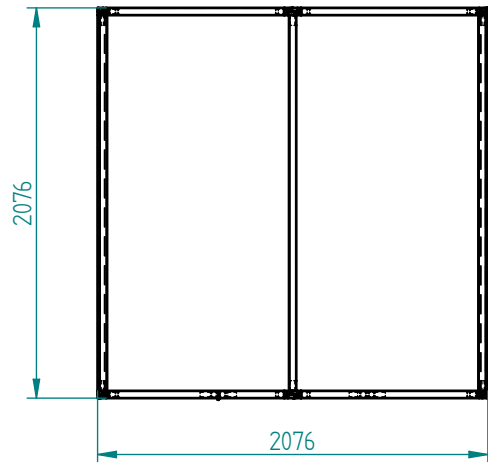
	NAME	DATE			
DRAWN	L Malan	01/23/20			
CHECKED					
ENG APPR					
MGR APPR			TITLE Shelter Structure		
UNLESS OTHERWISE SPECIFIED DIMENSIONS ARE IN MILLIMETERS			SIZE A3	DWG NO 01	REV 01
			FILE NAME: Shelter Structure_Part List.dft		
			SCALE:	WEIGHT:	SHEET 1 OF 1



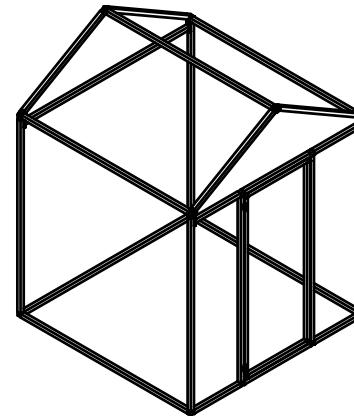
Front View




Side View



Top View



	NAME	DATE			
DRAWN	L Malan	01/23/20			
CHECKED					
ENG APPR					
MGR APPR			TITLE Shelter Structure		
UNLESS OTHERWISE SPECIFIED DIMENSIONS ARE IN MILLIMETERS			SIZE A3	DWG NO 01	REV 01
			FILE NAME: Shelter Structure.dft		
			SCALE:	WEIGHT:	SHEET 1 OF 1