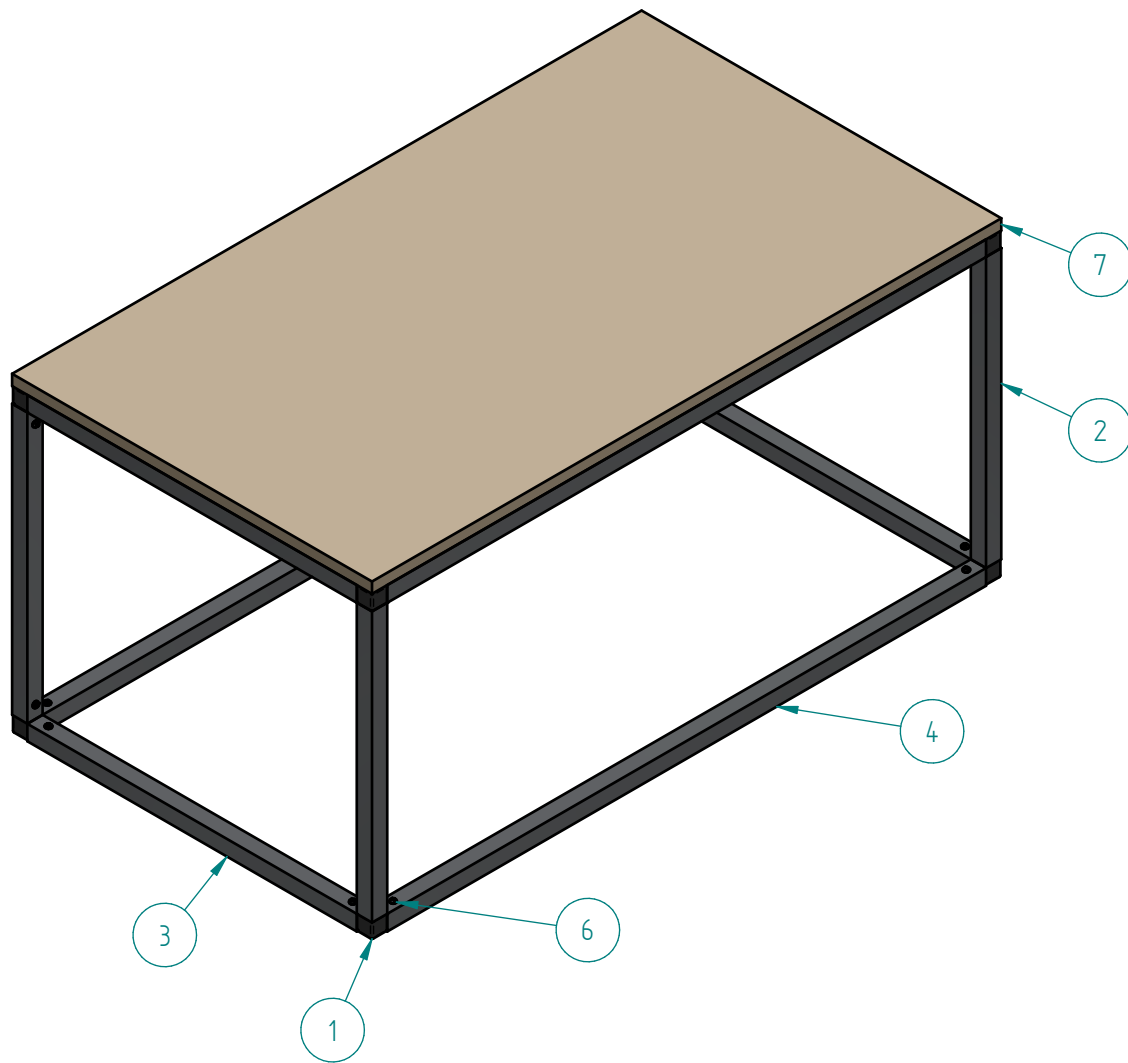


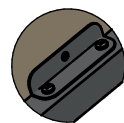
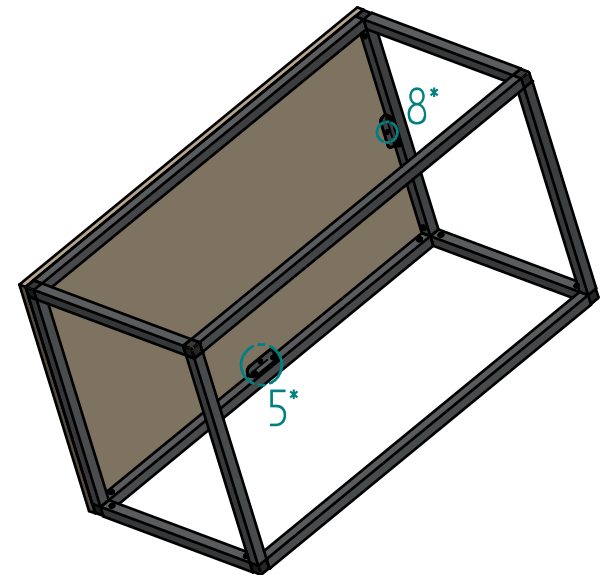


HOW TO BUILD

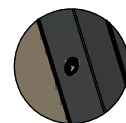
**Classic Coffee
Table using
25mm Connectors**



Item Number	Title	Quantity	Cut Length
1	25mm 3-Way Connector	8	-
2	25mm Profile	4	450
3	25mm Profile	4	550
4	25mm Profile	4	1000
5*	L - Bracket	4	-
6	Tek Screw	32	-
7	Wood Board	1	1050,8 x 600,8 x 18
8*	Wood Screw	4	-

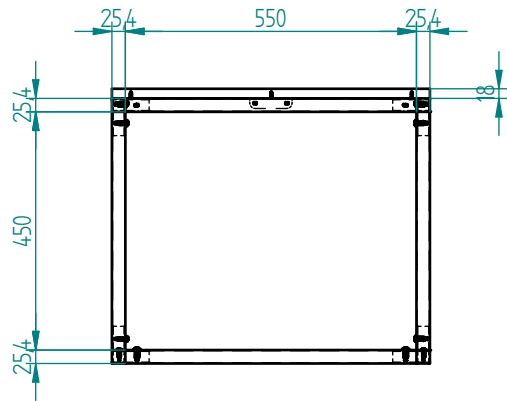


Detail 5*

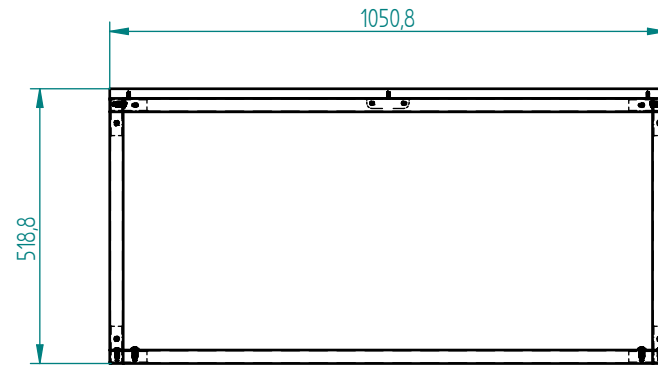


Detail 8*

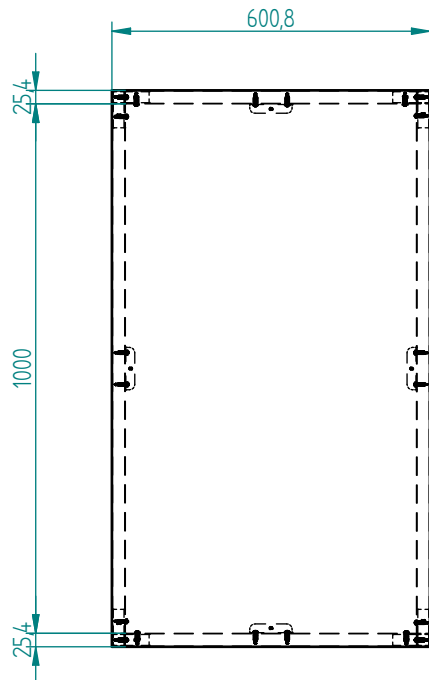
	NAME	DATE			
DRAWN	L. Malan	11/26/19			
CHECKED					
ENG APPR					
MGR APPR			TITLE 25mm Classic Coffee Table_Parts List		
UNLESS OTHERWISE SPECIFIED DIMENSIONS ARE IN MILLIMETERS			SIZE A3	DWG NO 01	REV 01
			FILE NAME: 25mm Coffee Table_Parts List.dft		
			SCALE:	WEIGHT:	SHEET 1 OF 1



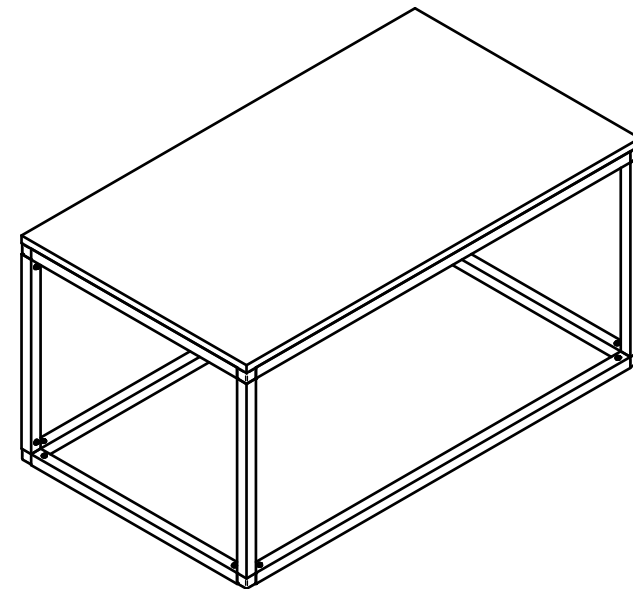
Front View




Side View



Top View



	NAME	DATE			
DRAWN	L. Malan	11/26/19			
CHECKED					
ENG APPR					
MGR APPR			TITLE		
			25mm Classic Coffee Table		
UNLESS OTHERWISE SPECIFIED DIMENSIONS ARE IN MILLIMETERS			SIZE	DWG NO	REV
			A3	01	01
			FILE NAME: 25mm Coffee Table_ISO.dft		
SCALE:		WEIGHT:	SHEET 1 OF 1		